

## 1. Description

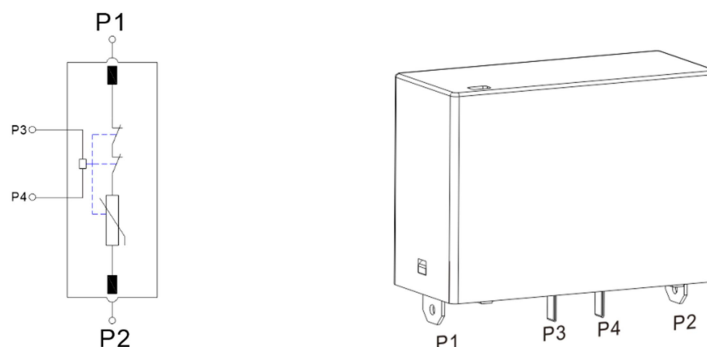
Power Surge Protective Device Installed on pcb is a combination of varistor and thermally protected mechanical disconnect. The varistor has aging characteristics. When the varistor (MOV) deteriorates or fails, the device with thermal tripping mechanism can separate the varistor from the main circuit through the action of the thermal protection component to prevent the varistor from catching fire. Commonly used in photovoltaic inverters, solar energy, communication equipment, computer room power supplies and other places that require high reliability and weather resistance.



## 2. Features

- Overvoltage Protection has High Breaking Capacity and Fast Trip Response
- It Can Meet the Working Temperature of -40 ~85 °C
- Thermal Protection, High Reliability
- Small Size
- Remote Signal Contact for Failure Indication
- High Energy Capacity
- Sealing Material, Flame-retardant to V0 (UL 94)
- Comply with UL 1449 / IEC 61643-11

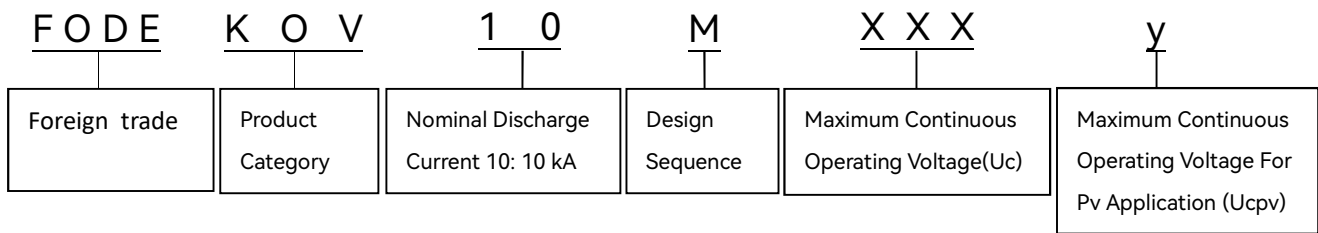
## 3. Circuit Diagram



## 4. Applications

- Telecom Equipment
- String Inverter in Photovoltaic System
- AC / DC Power Supply
- Uninterruptable Power Supply (UPS)
- Surge Protective Device (SPD)
- Electric Meter
- Power Distribution Unit (PDU)
- Lightning Protection Socket

### 5. Part Number Code





### 6. Absolute Maximum Ratings (@TA=25°C unless otherwise noted)

| Parameter             | Symbol           | Typ | Value   | Unit |
|-----------------------|------------------|-----|---------|------|
| Operating Temperature | T <sub>OPR</sub> | 25  | -40 -85 | °C   |
| Storage Temperature   | T <sub>STG</sub> | 25  | -40 -85 | °C   |

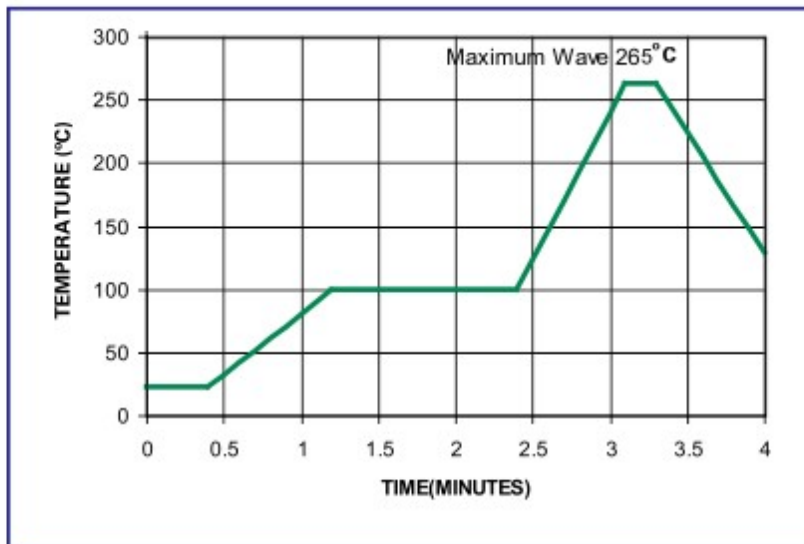
### 7. Electrical Characteristics(@TA=25°C unless otherwise noted)

| Type Number     | Maximum Continuous Operating Voltage (uc) |                        | Current Impulse (8/20µs) |                       | Voltage Protection Rating (Up) | Agency |    | Reference Standards |                 |
|-----------------|---|------------------------|--------------------------|-----------------------|--------------------------------|--------|----|---------------------|-----------------|
|                 | U <sub>c</sub> (Vac)                      | U <sub>CPV</sub> (Vdc) | I <sub>n</sub> (kA)      | I <sub>max</sub> (kA) | U <sub>p</sub> (kV)            | TUV    | CE | IEC/EN 61643-11     | IEC/EN 61643-31 |
| FODEKOV10M48    | -   | 85                     | 10                       | 20                    | 0.8                            | ●      | ●  |                     | ●               |
| FODEKOV10M130   | 130                                       | -                      | 10                       | 20                    | 0.8                            | ●      | ●  | ●                   |                 |
| FODEKOV10M150   | 150                                       | -                      | 10                       | 20                    | 0.8                            | ●      | ●  | ●                   |                 |
| FODEKOV10M175   | 175                                       | -                      | 10                       | 20                    | 0.8                            | ●      | ●  | ●                   |                 |
| FODEKOV10M230   | 230                                       | -                      | 10                       | 20                    | 1.0                            | ●      | ●  | ●                   |                 |
| FODEKOV10M250   | 250                                       | -                      | 10                       | 20                    | 1.0                            | ●      | ●  | ●                   |                 |
| FODEKOV10M275   | 275                                       | -                      | 10                       | 20                    | 1.2                            | ●      | ●  | ●                   |                 |
| FODEKOV10M300   | 300                                       | -                      | 10                       | 20                    | 1.3                            | ●      | ●  | ●                   |                 |
| FODEKOV10M320   | 320                                       | -                      | 10                       | 20                    | 1.3                            | ●      | ●  | ●                   |                 |
| FODEKOV10M350   | 350                                       | -                      | 10                       | 20                    | 1.5                            | ●      | ●  | ●                   |                 |
| FODEKOV10M385   | 385                                       | -                      | 10                       | 20                    | 1.5                            | ●      | ●  | ●                   |                 |
| FODEKOV10M500PV | -   | 500                    | 10                       | 20                    | 1.5                            | ●      | ●  |                     | ●               |
| FODEKOV10M420   | 420                                       | -                      | 10                       | 20                    | 1.8                            | ●      | ●  | ●                   |                 |
| FODEKOV10M560PV | -   | 560                    | 10                       | 20                    | 1.8                            | ●      | ●  |                     | ●               |
| FODEKOV10M460   | 460                                       | -                      | 10                       | 20                    | 1.8                            | ●      | ●  | ●                   |                 |
| FODEKOV10M600PV | -   | 600                    | 10                       | 20                    | 1.8                            | ●      | ●  |                     | ●               |
| FODEKOV10M510   | 510                                       | -                      | 10                       | 20                    | 2.0                            | ●      | ●  | ●                   |                 |
| FODEKOV10M670PV | -   | 670                    | 10                       | 20                    | 2.0                            | ●      | ●  |                     | ●               |
| FODEKOV10M550   | 550                                       | -                      | 10                       | 20                    | 2.5                            | ●      | ●  | ●                   |                 |
| FODEKOV10M720PV | -   | 720                    | 10                       | 20                    | 2.5                            | ●      | ●  |                     | ●               |
| FODEKOV10M625   | 625                                       | -                      | 10                       | 20                    | 3.0                            | ●      | ●  | ●                   |                 |
| FODEKOV10M800PV | -   | 800                    | 10                       | 20                    | 3.0                            | ●      | ●  |                     | ●               |
| FODEKOV10M680   | 680                                       | -                      | 10                       | 20                    | 3.0                            | ●      | ●  | ●                   |                 |
| FODEKOV10M890PV | -   | 890                    | 10                       | 20                    | 3.0                            | ●      | ●  |                     | ●               |

### 8. Agency Approvals

| Icom  | Compliance with    | The File No.    | Category |
|---|--------------------|-----------------|----------|
| <b>ROSH</b>   | 2011/65/EU         |                 |          |
| <b>HF</b>   | IEC61249-2-21:2003 |                 |          |
|  | Mean lead free     |                 |          |
| <b>CE</b>   | IEC/EN 61643-11    | UK230307199     | Type 2   |
|   | IEC/EN 61643-31    | UK230307200     |          |
|  | IEC/EN 61643-11    | R 50592795 0001 | Type 2   |
|   | IEC/EN 61643-31    | R 50592796 0001 |          |

### 9. Wave Soldering Parameters (For Reference Only)

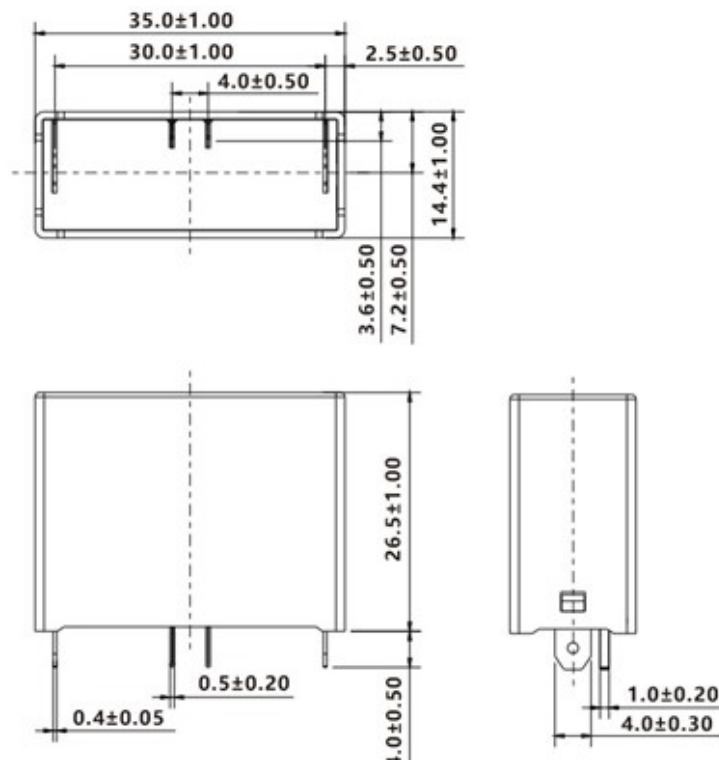


| Items      | Temp. (°C) | Time (s)  |
|------------|------------|-----------|
| Preheating | 80 to 100  | 60 to 150 |
| Dwelling   | 250 to 265 | 2 to 4    |

### 10. Recommended Hand-Soldering Parameters

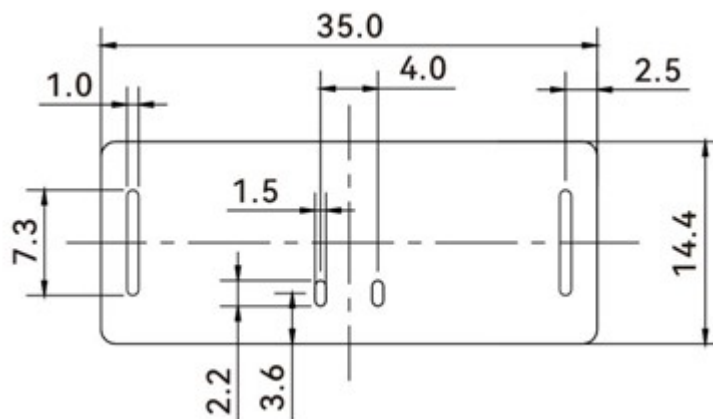
| Items  | Condition        |
|--|------------------|
| Lron Temperature   | 350°C(Max.)      |
| Soldering Time   | 4 Seconds (Max.) |
| Distance Between Soldering Point And The Bottom Of Product | 2mm(Min.)        |

### 11. Dimensions



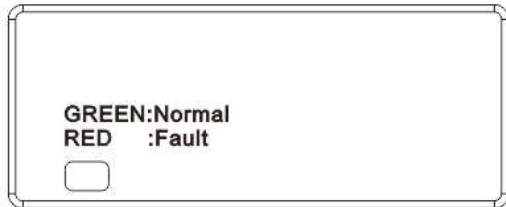
#### 11.1 Recommended pad cut-out size

Unit: mm

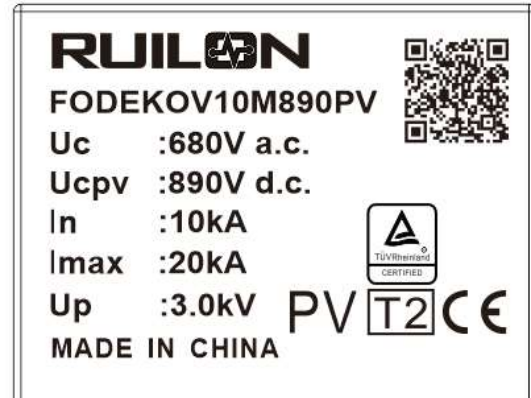


### 12. Marking on Product

Top marking

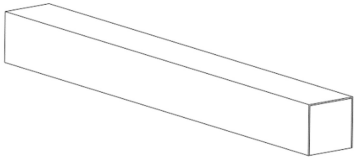
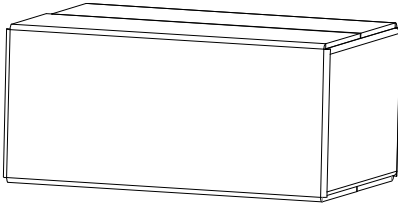


Front Marking



### 13. Packaging

**BULK:**

| Packaging tube   | Outer box size  | Quantity  |
|--|---|---|
| Size: 34.3*37.1*320(mm)<br> | Size: 355*355*166(mm)<br> | <ul style="list-style-type: none"> <li>• 480 pcs. per carton</li> <li>• 20 pcs. Per tube</li> <li>• 24 inner tube per carton</li> </ul> |